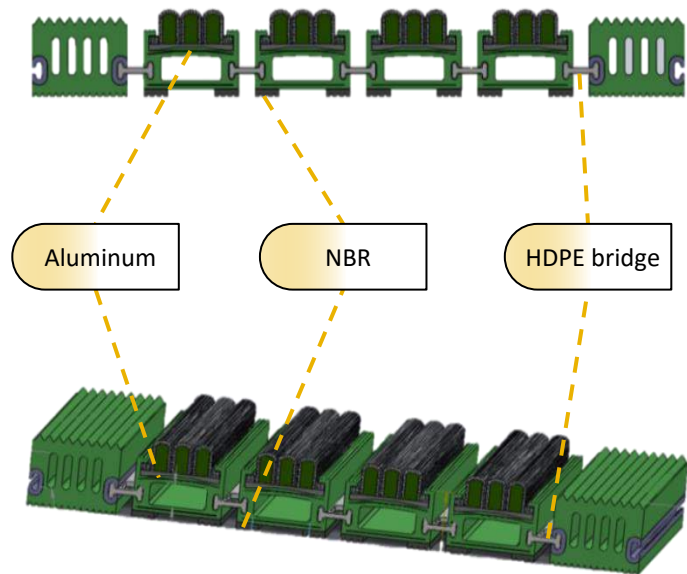


Anchor Mat is the first step toward safer commercial buildings. Adding gap pads makes this product even more flexible when applying to recessed well entrances. Inserted carpets can effectively remove dirt and absorb moisture. This will be your ultimate entrance matting solution.



Product Specification

Material	PVC with aluminum insert
Weight	310 ± 15 g/m ²
Thickness	18 mm
Thickness with Carpet	21 ± 1.0 mm
Per Bar (cm)	1.8x3x350

Main Benefits

- Effective moisture and dirt removal;
- Easy to assemble;
- Fluid drainage and slip resistance;
- Applicable for high traffic and busy areas;
- Replaceable carpets for different design needs.

Application

- Commercial buildings;
- High traffic areas;
- Indoor/outdoor areas.